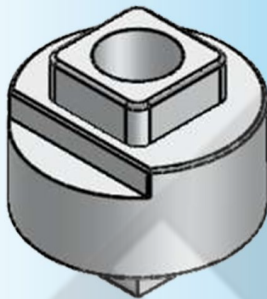


For Product Step File or 3D Model Send a Request Mail To info@nrack.com

Photo View



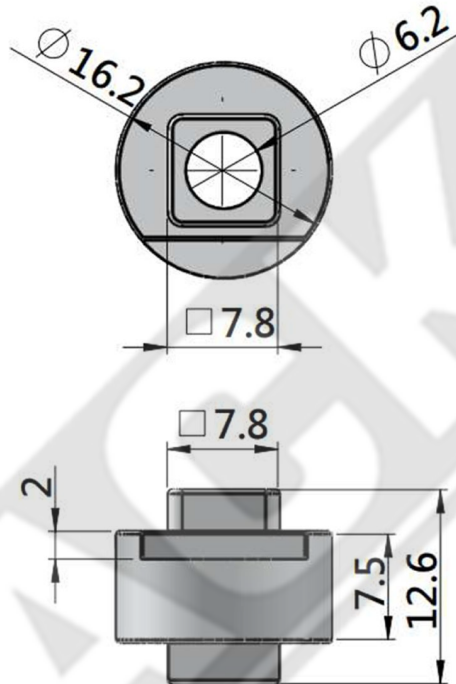
3D Rendered View



**SHF - 06**

- Material: Zinc Die Casting-Body
- Finish: Zinc Blue Plating/Sand Blasting

Adopter



To Fix the Center Cam  
in 3 Point Lock

